

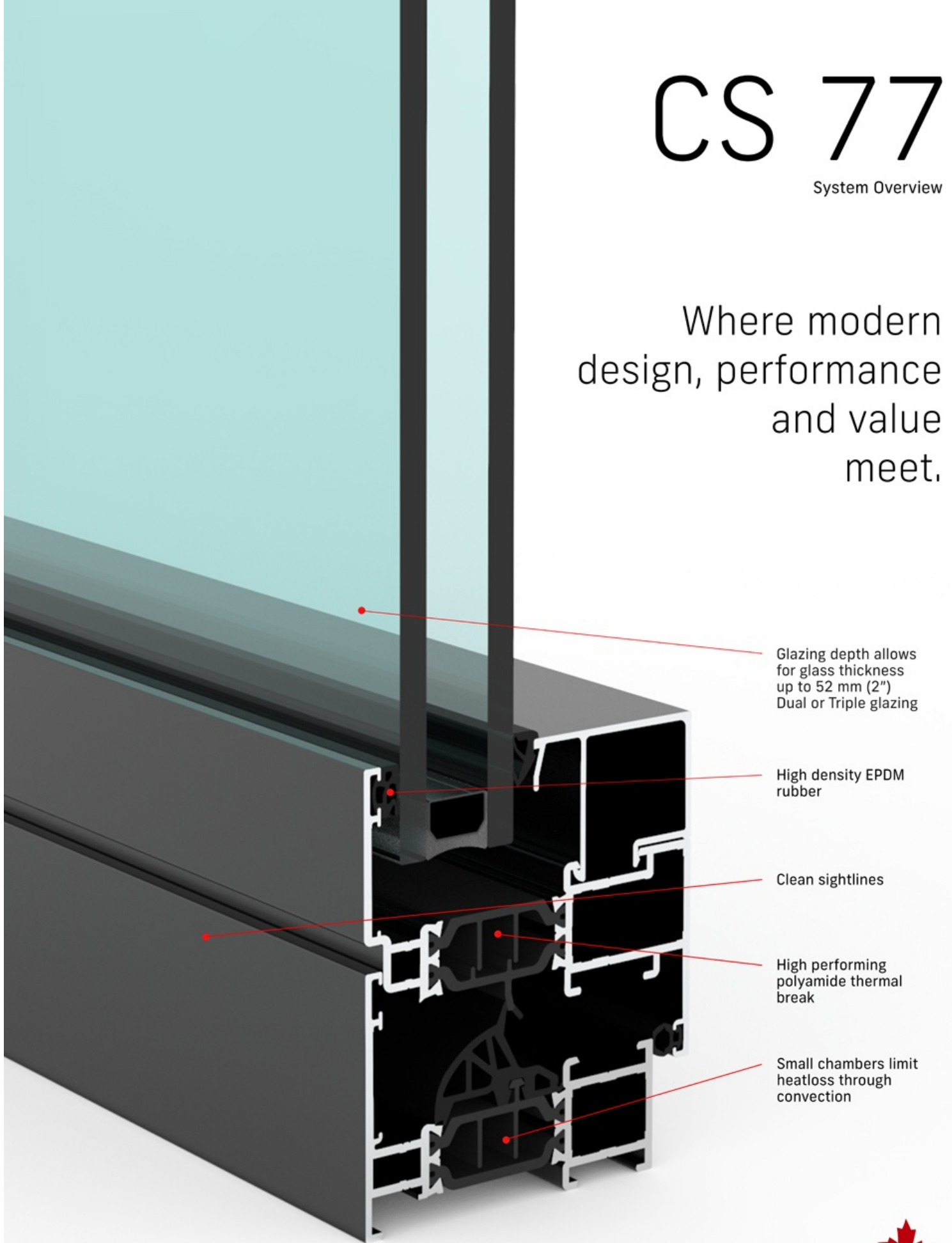
System Overview



CS 77

System Overview

Where modern
design, performance
and value
meet.



Glazing depth allows
for glass thickness
up to 52 mm (2")
Dual or Triple glazing

High density EPDM
rubber

Clean sightlines

High performing
polyamide thermal
break

Small chambers limit
heatloss through
convection



PROUDLY MADE IN CANADA

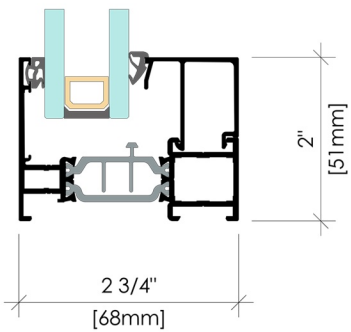
CS77

Reference

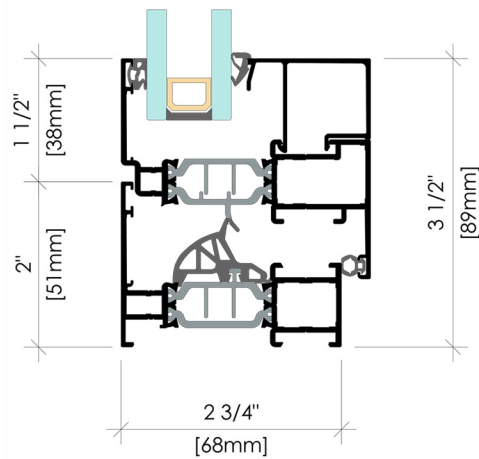


Design

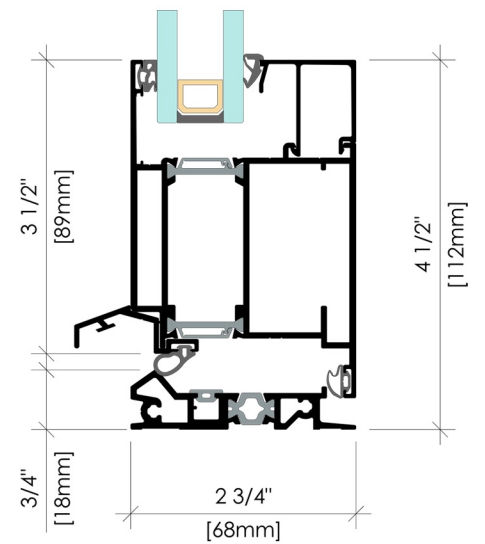
Fixed Window



Tilt & Turn Window



In-Swing Door



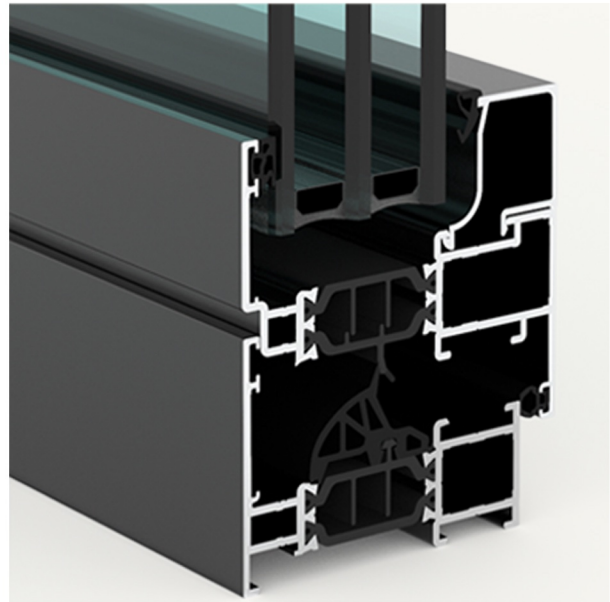
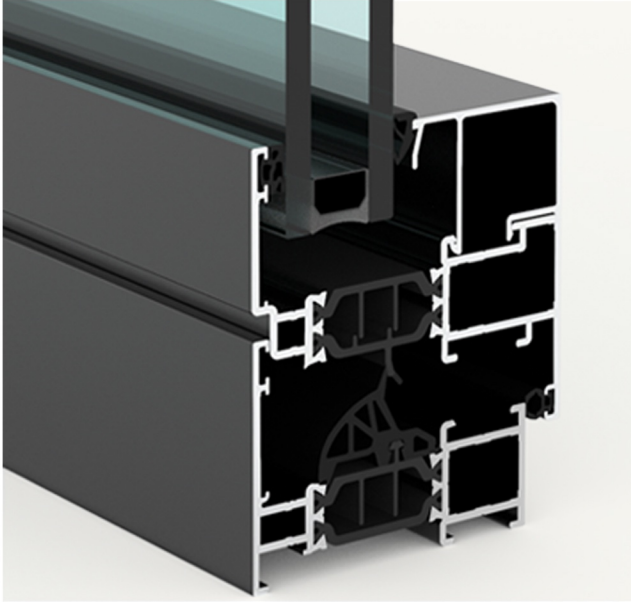
CS77

Projects



CS77

System Performance



Double Glazed Unit

Triple Glazed Unit

U-factor	0.26	U-factor	0.20
SHGC	0.27	SHGC	0.23
VT	0.46	VT	0.36
Condensation resistance	52	Condensation resistance	68



CS77

System Options

Colour



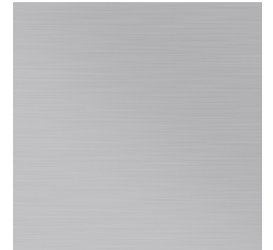
Ral # 9005
Black



Ral # 7021
Black Grey

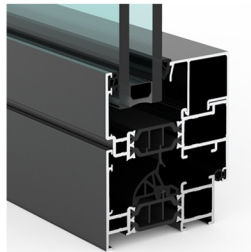


Ral # 7016
Anthracite Grey

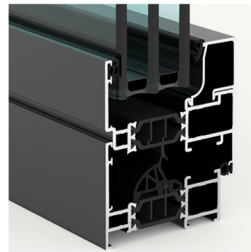


Clear Anodized

Glazing



Dual Glazed
1.6 - 1.8 Uval

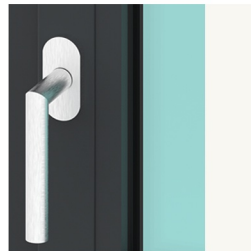


Triple Glazed
1.4 - 1.2 Uval

Handle

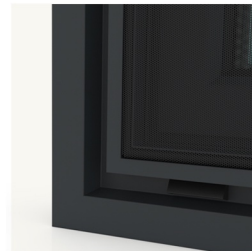


Amsterdam
Door (Standard)



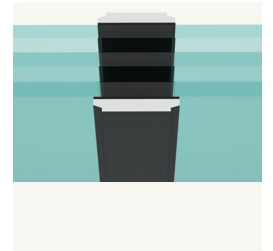
Amsterdam
Window (Standard)

Screen



Insect Screen
Removable

SDL



SDL Grills
1" (25 mm)





Tiltco (Head office & Manufacturing)
60 Industrial Road, Bradford,
Ontario, Canada
L3Z 3G7
www.tiltco.com

